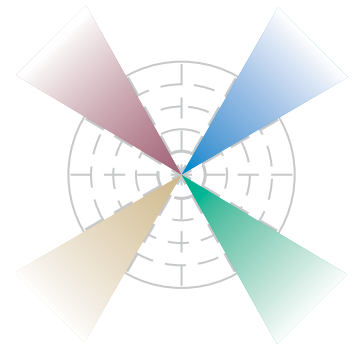


# BL Series Microphones



## Product Features

- Piezo-ceramic Microphone
- High Sensitivity
- Flat and Band-pass Frequency Response
- High Resistance to Mechanical Shock
- Three Package Options
- Used in Sound Level Meters
- Used as a Low Cost Reference Microphone

The BL series microphones are rugged, stable, and versatile. BL microphones are available in three different package sizes: standard, thin, or ½ inch cylindrical shell and cable assembly.

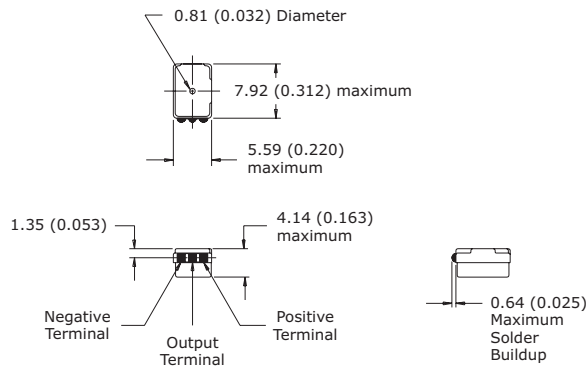
Both communication and broadband frequency response versions are offered. In addition, BL microphones have high vibration sensitivity, and may be used as accelerometers.



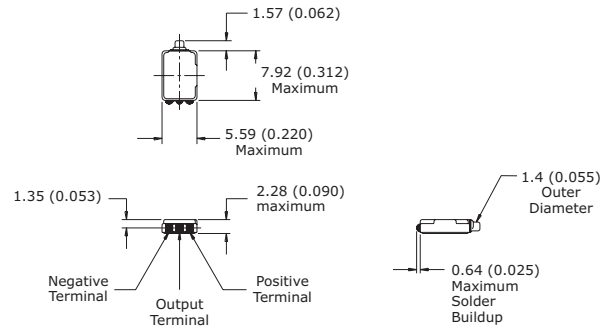
# BL Series Microphone Specifications

## Element Outline Drawings

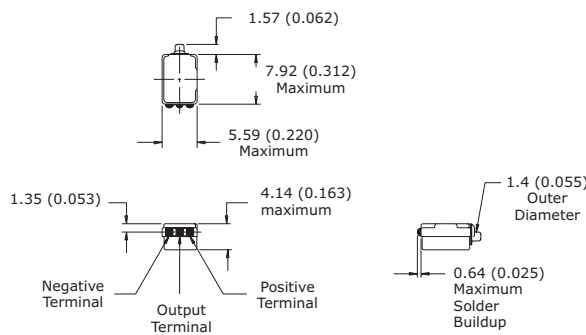
### Thick Case OKn Signal Port Location Model BL-1670



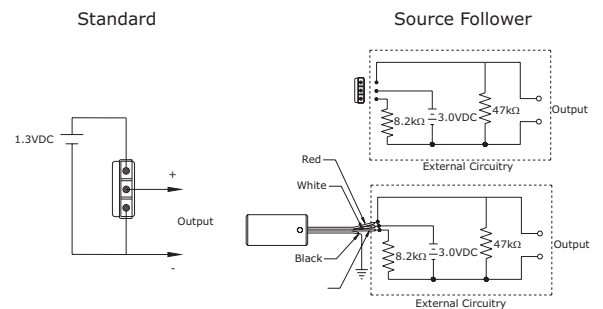
### Thin Case 12S Signal Port Location Models BL-1681, BL-1785



### Thick Case 12S Signal Port Location Model BL-1671



## Test Condition



[www.knowlesacoustics.com](http://www.knowlesacoustics.com)

AMERICAS:  
Knowles Acoustics  
1151 Maplewood Drive  
Itasca, IL 60143 U.S.A.  
Phone: 630-250-5930  
Fax: 630-250-5932

EUROPE:  
Knowles Acoustics  
York Road, Burgess Hill  
West Sussex, RT15 9TT  
England  
Phone: 441-444-235432  
Fax: 441-444-872772

JAPAN:  
Knowles Acoustics  
Kyodo Bloom Building  
19-1 Miyasaka 2-Chome  
Setagaya-Ku, Tokyo 156, Japan  
Phone: 81-3-3439-1151  
Fax: 81-3-3439-8822

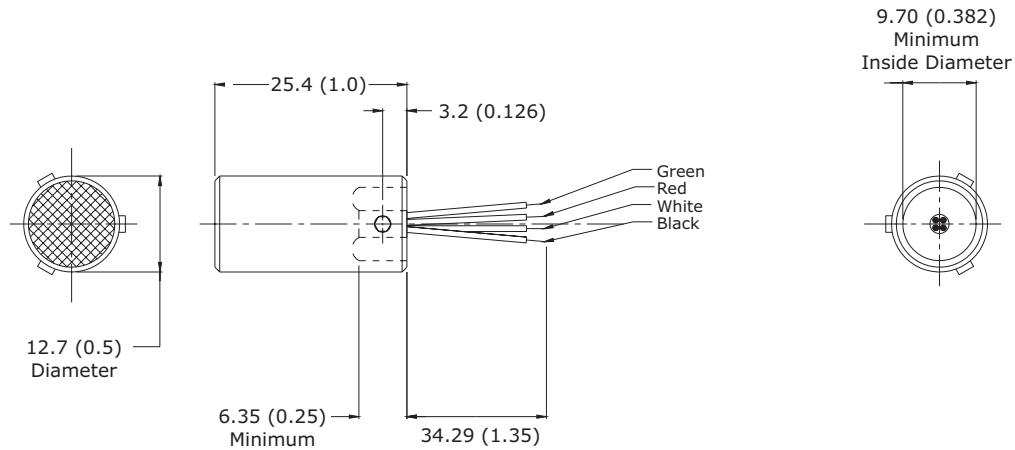
ASIA:  
Knowles Acoustics  
5F, No. 129, Lane 235, Bauchiou Rd  
Shindian City, Taipei 231, Taiwan  
Republic of China  
Phone: 886-2-8919-1799  
Fax: 886-2-8919-1798

The information contained in this literature is based on our experience to date and is believed to be reliable and subject to change without notice. It is intended as a guide for use by persons having technical skill at their own discretion and risk. We do not guarantee favorable results or assume any liability in connection with its use. Dimensions contained herein are for reference purposes only. For specific dimensional requirements consult factory. This publication is not to be taken as a license to operate under, or recommendation to infringe any existing patents. This supersedes and voids all previous literature.

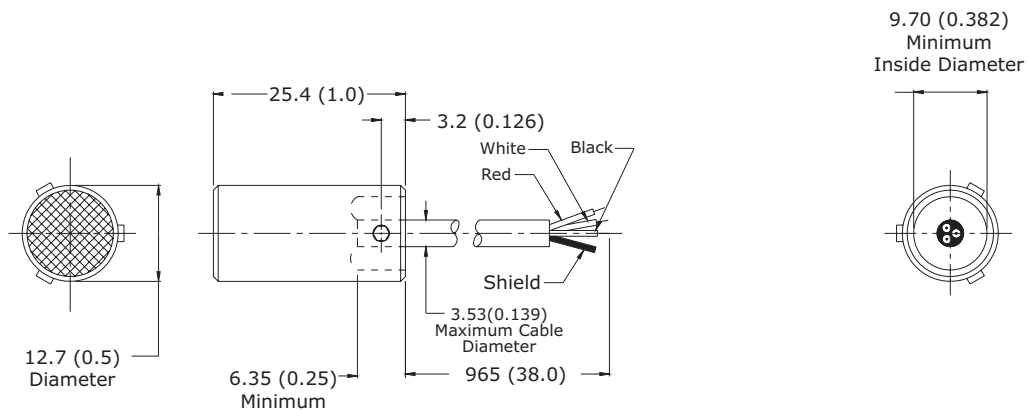
# BL Series Microphone Specifications

## Cylindrical Outline Drawings

### Cylindrical Package with Flying Leads Model BL-3497 Nominal weight 13 grams



### Cylindrical Package with Cable Model BL-1994 Nominal weight 27 grams



[www.knowlesacoustics.com](http://www.knowlesacoustics.com)

AMERICAS:  
Knowles Acoustics  
1151 Maplewood Drive  
Itasca, IL 60143 U.S.A.  
Phone: 630-250-5930  
Fax: 630-250-5932

EUROPE:  
Knowles Acoustics  
York Road, Burgess Hill  
West Sussex, RT15 9TT  
England  
Phone: 441-444-235432  
Fax: 441-444-872772

JAPAN:  
Knowles Acoustics  
Kyodo Bloom Building  
19-1 Miyasaka 2-Chome  
Setagaya-Ku, Tokyo 156, Japan  
Phone: 81-3-3439-1151  
Fax: 81-3-3439-8822

ASIA:  
Knowles Acoustics  
5F, No. 129, Lane 235, Bauchi Rd  
Shindian City, Taipei 231, Taiwan  
Republic of China  
Phone: 886-2-8919-1799  
Fax: 886-2-8919-1798

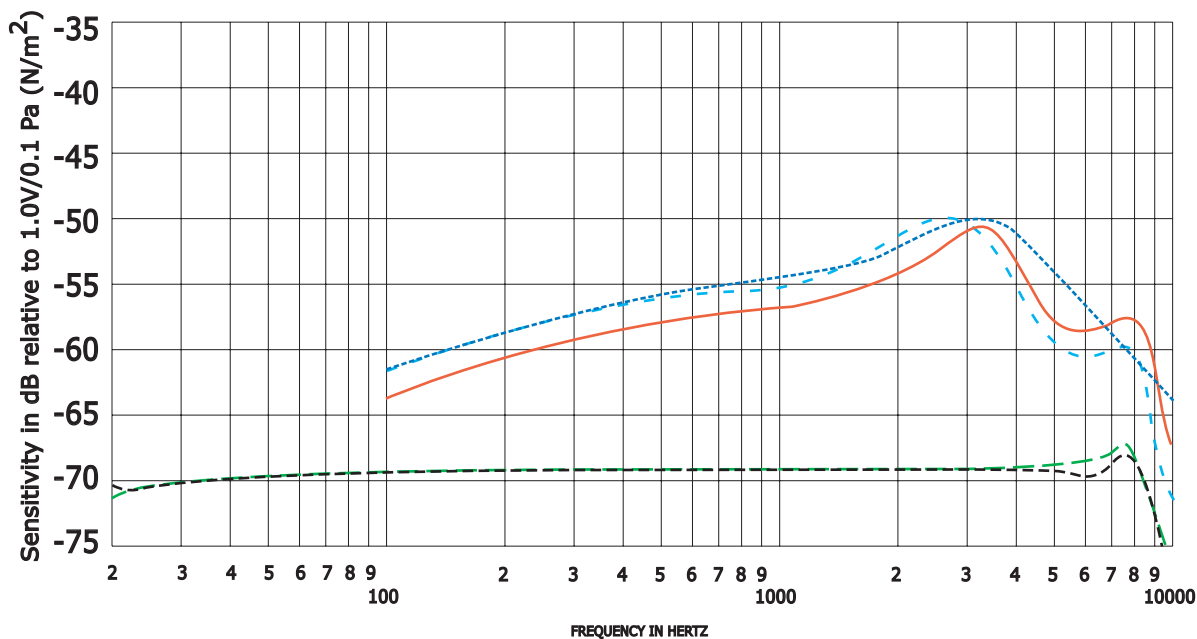
The information contained in this literature is based on our experience to date and is believed to be reliable and subject to change without notice. It is intended as a guide for use by persons having technical skill at their own discretion and risk. We do not guarantee favorable results or assume any liability in connection with its use. Dimensions contained herein are for reference purposes only. For specific dimensional requirements consult factory. This publication is not to be taken as a license to operate under, or recommendation to infringe any existing patents. This supersedes and voids all previous literature.

# BL Series Microphone Specifications

## Model Chart

Model	Outline Drawing + Response (Legend)	Test Circuit	DC Supply Voltage	Output Impedance (ohms)			Amplifier Current Drain ( $\mu\text{A}$ max.)	"A" Weighted Noise (1kHz equivalenten SPL) dB SPL max
				Min.	Nom.	Max.		
BL-1670	Thick Case OKn	Standard	1.3	8000	13000	22000	50	32
BL-1671	Thick Case 12S	Standard	1.3	8000	13000	22000	50	32
BL-1681	Thin Case 12S	Standard	1.3	8000	13000	22000	50	34
BL-1785	Thin Case 12S	Source Follower	3	--	4000	--	160	34
BL-1994	Cylinder w/cable	Source Follower	3	--	4000	--	160	34
BL-3497	Cylinder w/leads	Source Follower	3	--	4000	--	160	34

## Frequency Response



[www.knowlesacoustics.com](http://www.knowlesacoustics.com)

AMERICAS:  
Knowles Acoustics  
1151 Maplewood Drive  
Itasca, IL 60143 U.S.A.  
Phone: 630-250-5930  
Fax: 630-250-5932

EUROPE:  
Knowles Acoustics  
York Road, Burgess Hill  
West Sussex, RT15 9TT  
England  
Phone: 441-444-235432  
Fax: 441-444-872772

JAPAN:  
Knowles Acoustics  
Kyodo Bloom Building  
19-1 Miyasaka 2-Chome  
Setagaya-Ku, Tokyo 156, Japan  
Phone: 81-3-3439-1151  
Fax: 81-3-3439-8822

ASIA:  
Knowles Acoustics  
5F, No. 129, Lane 235, Bauchiou Rd  
Shindian City, Taipei 231, Taiwan  
Republic of China  
Phone: 886-2-8919-1799  
Fax: 886-2-8919-1798

The information contained in this literature is based on our experience to date and is believed to be reliable and subject to change without notice. It is intended as a guide for use by persons having technical skill at their own discretion and risk. We do not guarantee favorable results or assume any liability in connection with its use. Dimensions contained herein are for reference purposes only. For specific dimensional requirements consult factory. This publication is not to be taken as a license to operate under, or recommendation to infringe any existing patents. This supersedes and voids all previous literature.